

## Straight Liquid Tight Cable Hose Fittings Male, Brass

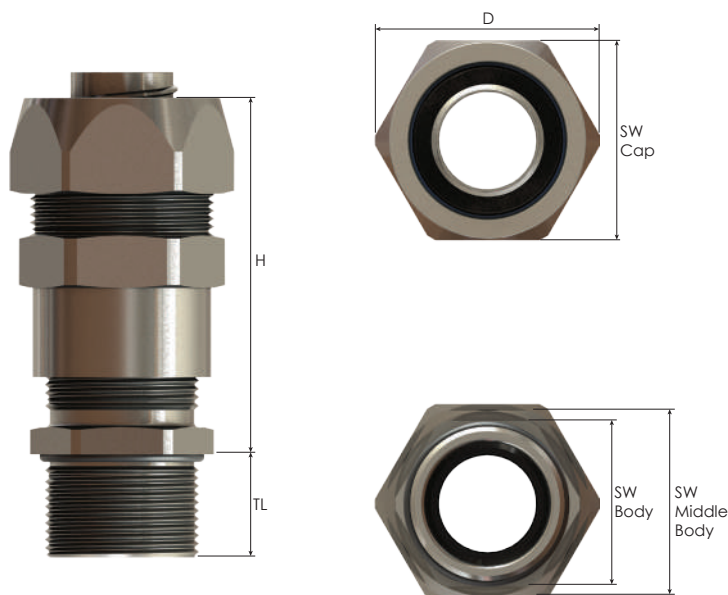
### Liquid Tight Cable Hose Fittings (Male), Brass

- Conduit fittings with integrated cable gland – safe clamping and sealing of the cable.
- Fittings for Sealrite conduits.
- For metal machines and housings.
- For standard industrial applications in harsh environments.
- Great corrosion protection.
- Easy assembly.
- High quality strain relief and sealing, reliable performance for standard industrial applications.

#### Technical Details

<b>Material</b>	<b>Body, Cap</b>	Brass Nickel plated
	<b>Clamping Insert</b>	PA 6 (Polyamide 6)
	<b>Seal</b>	CR (Chloroprene)
	<b>Ferrule</b>	Brass Nickel plated or Steel Zinc plated
	<b>Seal Ring</b>	PA 6 (Polyamide 6)
	<b>O-Ring</b>	NBR
<b>Ingress Protection Rating</b>		IP 65 IP 66
<b>Operating Temperature</b>	<b>Permanent</b>	-20 °C to +100 °C
<b>Cable Type</b>		Non armoured
<b>Thread Type</b>		<ul style="list-style-type: none"> <li>• Metric EN 60423</li> <li>• PG DIN 40430</li> </ul>
<b>Accessories</b>		<ul style="list-style-type: none"> <li>• Lock nuts</li> </ul>
<b>Remarks</b>		<ul style="list-style-type: none"> <li>• O-ring available in Metric and PG threads.</li> <li>• Accessories must be ordered separately.</li> </ul>





## Straight Liquid Tight Cable Hose Fittings Male, Brass

Thread Type **METRIC** acc. to EN 60423

Outer Thread Size (Male)	For Sealrite Nominal Size	Clamping Range Ø min-max mm	Outer Thread Length TL mm	Spanner Width		Body SW Body mm	Outer Ø D mm	max. Height		Part Number	Minimum Order Quantity
				Cap SW Cap mm	Middle Body SW Middle Body mm			H mm			
M16x1,5	5/16"	4,0 - 8,0	12,0	26	24	18	29,0	49,0	BBFM-02(S) CH	250	
	3/8"	4,0 - 8,0	12,0	26	24	18	29,0	49,0	BBFM-02 CH	250	
M20x1,5	3/8"	6,0 - 10,0	12,0	26	24	22	29,0	49,0	BBFM-03(S) CH	250	
	1/2"	6,0 - 12,0	12,0	29	27	22	32,7	50,5	BBFM-03 CH	250	
M25x1,5	3/4"	13,0 - 18,0	12,0	35	33	30	39,0	58,5	BBFM-04 CH	200	
M32x1,5	3/4"	13,0 - 18,0	15,0	35	33	34	39,0	58,5	BBFM-05 CH	70	
M40x1,5	1"	18,0 - 23,5	15,0	45	43	43	50,0	69,5	BBFM-06 CH	50	

Thread Type **PG** acc. to DIN 40430

Outer Thread Size (Male)	For Sealrite Nominal Size	Clamping Range Ø min-max mm	Outer Thread Length TL mm	Spanner Width		Body SW Body mm	Outer Ø D mm	max. Height		Part Number	Minimum Order Quantity
				Cap SW Cap mm	Middle Body SW Middle Body mm			H mm			
PG 9	5/16"	4,0 - 8,0	12,0	26,0	24,0	17,0	29,0	48,5	BBFB-02(S) CH	250	
	3/8"	4,0 - 8,0	12,0	26,0	24,0	17,0	29,0	48,5	BBFB-02 CH	250	
PG 11	3/8"	5,0 - 10,0	15,0	26,0	24,0	20,0	29,0	51,0	BBFB-03 CH	250	
PG 13,5	3/8"	6,0 - 10,0	15,0	26,0	24,0	22,0	29,0	49,0	BBFB-04 CH	200	
	1/2"	6,0 - 12,0	15,0	29,0	27,0	22,0	32,7	50,5	BBFB-04(S) CH	200	
PG 16	1/2"	10,0 - 13,5	15,0	29,0	27,0	24,0	32,7	53,5	BBFB-05 CH	200	
PG 21	3/4"	13,0 - 18,0	15,0	35,0	33,0	30,0	39,0	59,0	BBFB-06 CH	100	
PG 29	1"	18,0 - 23,5	15,0	45,0	43,0	40,0	50,0	70,0	BBFB-07 CH	70	